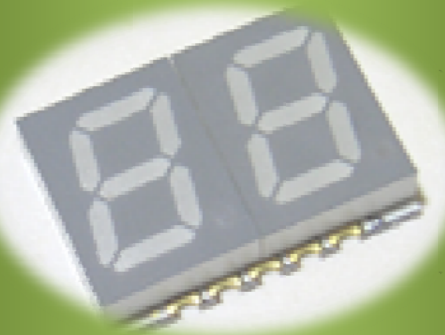




2007

AOP SMT LED DISPLAY



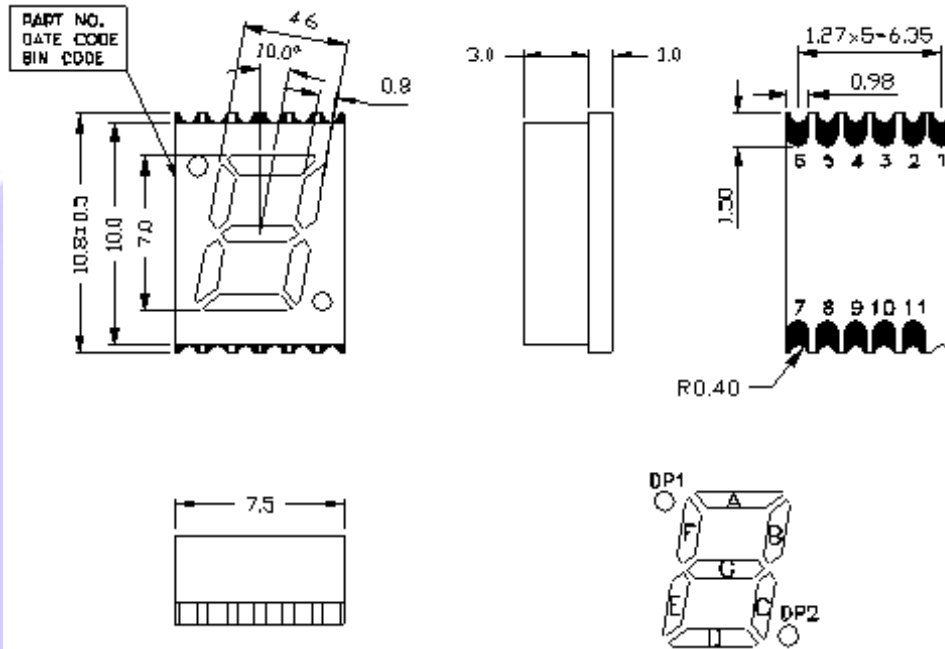
American Opto Plus LED Corp.

1206 E. Lexington Ave., Pomona, CA 91766

E-copy V. 1.0 2007

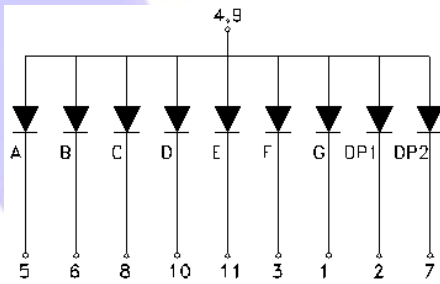
0.28 inch SINGLE DIGIT SMD LED DISPLAYS

Package Dimension:

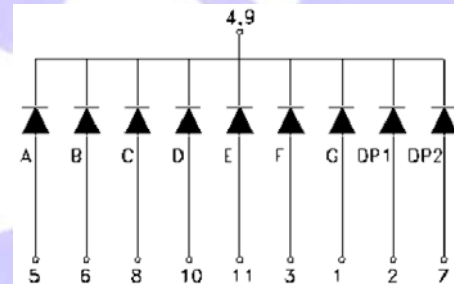


- Notes: 1. All dimensions are millimeters.
2. Tolerance are ± 0.25 mm unless otherwise noted.

COMMON ANODE



COMMON CATHODE



Part Number	Chip		Vf (V)		Iv (mcd)		I _p (nm) Peak Wavelength
	Material	Emitted Color	If = 20mA		If = 10mA		
			Min.	Typ.	Min.	Typ.	
SMC/A-281E G/W	AllInGaP/GaAs	Red	2	2.6	5000	12000	632
SMC/A-281G G/W	GaP	Green	2	2.6	500	1000	568
SMC/A-281SR G/W	AllInGaP/GaAs	YellowGreen	2	2.6	3000	6000	573



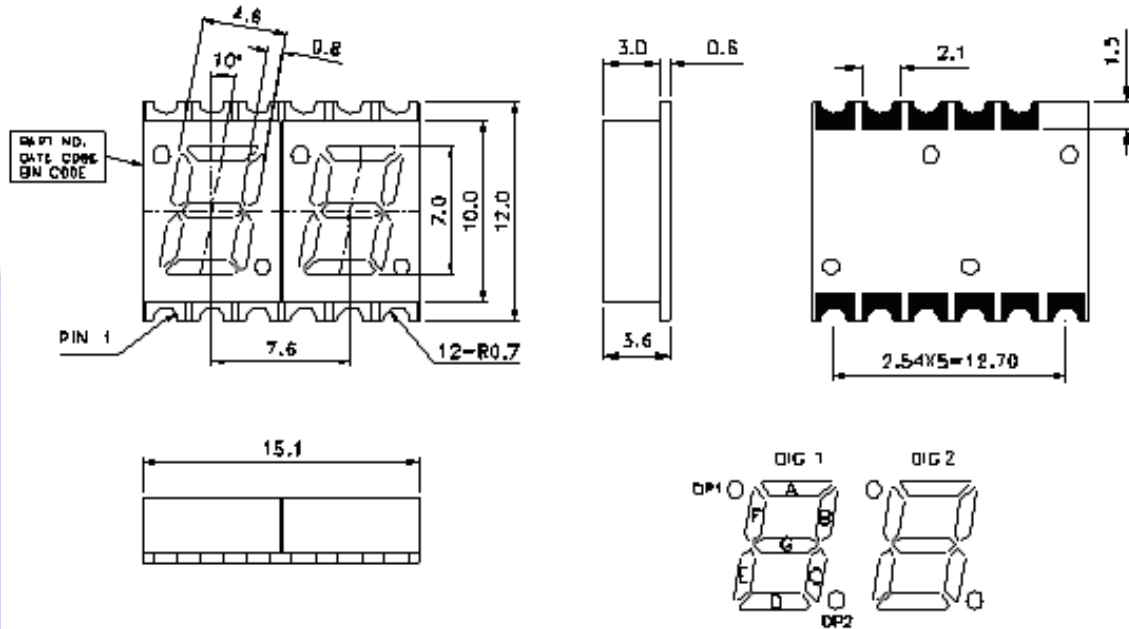
American Opto Plus LED Corp. 1206 E. Lexington Ave., Pomona., CA 91766

Tel: 909-465-0080 Fax: 909-465-0130 Web: www.aopled.com email: info@aopled.com



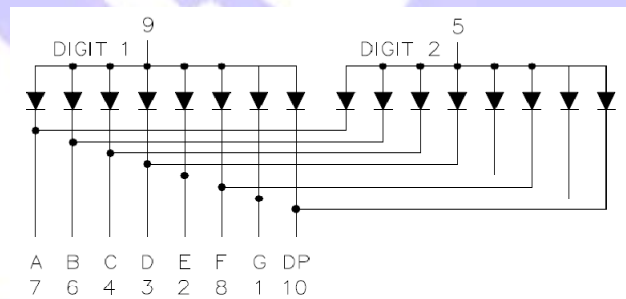
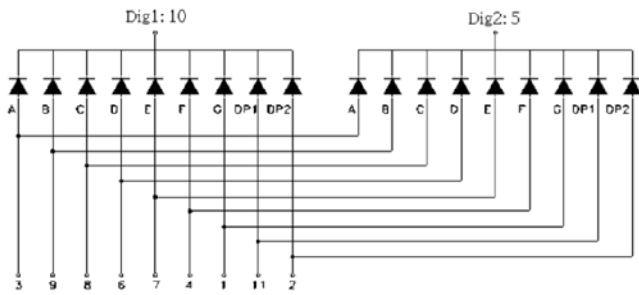
0.28 inch DUAL DIGIT SMD LED DISPLAYS

Package Dimension:



COMMON ANODE

COMMON CATHODE

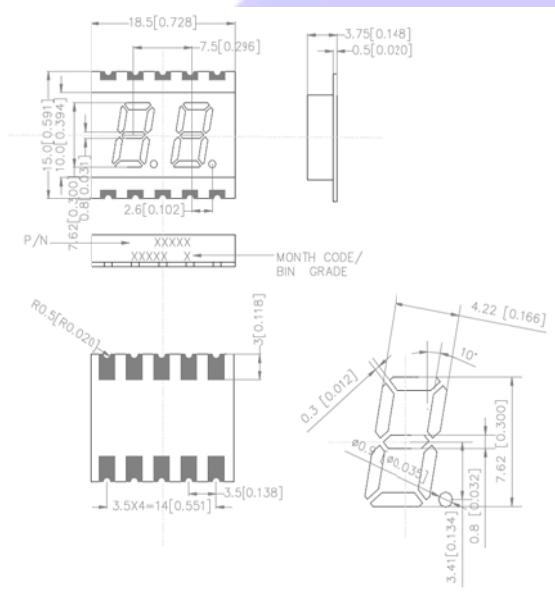


Part Number	Chip		Vf (V)		Iv (ucd)		λp (nm)
	Material	Emitted Color	If = 20mA		If = 10mA		Peak Wavelength
			Min.	Typ.	Min.	Typ.	
SMA/C-282LB G/W	InGaN/SiC	Blue	3.3	3.6	4100	9500	470
SMC/A-282G G/W	GaP	Green	2	2.6	500	1000	568
SMC/A-282LYG G/W	AlInGaP/GaAs	Green	2	2.6	1200	8600	573

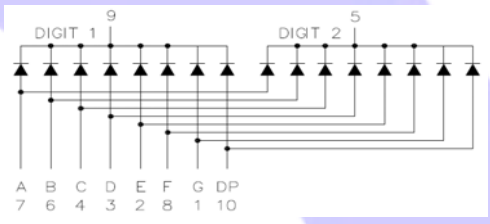


0.30 inch DUAL DIGIT SMD LED DISPLAYS

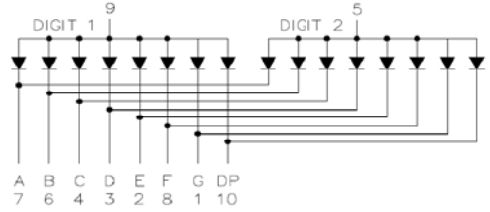
Package Dimension :



Internal Circuit Diagram – Common Cathode



Internal Circuit Diagram – Common Anode



Part Number	Chip	Vf (V)		Iv (mcd)		I _p (nm)
		If = 20mA		If = 10mA		
		Min.	Typ.	Min.	Typ.	
	Material	Emitted Color		Peak Wavelength		
SMC/A-302E G/W	GaAsP/GaP	Red		635		
SMC/A-302LE G/W	AllnGaP/GaAs	Bright Red		635		
SMC/A-302G G/W	GaP	Green		570		
SMC/A-302LG G/W	AllnGaP	Bright Green		570		
SMC/A-302Y G/W	GaAsP/GaP	Yellow		590		
SMC/A-302LY G/W	AllnGaP /GaAs	Bright Yellow		593		
SMC/A-302SR G/W	GaAsP/GaP	Super Red		660		



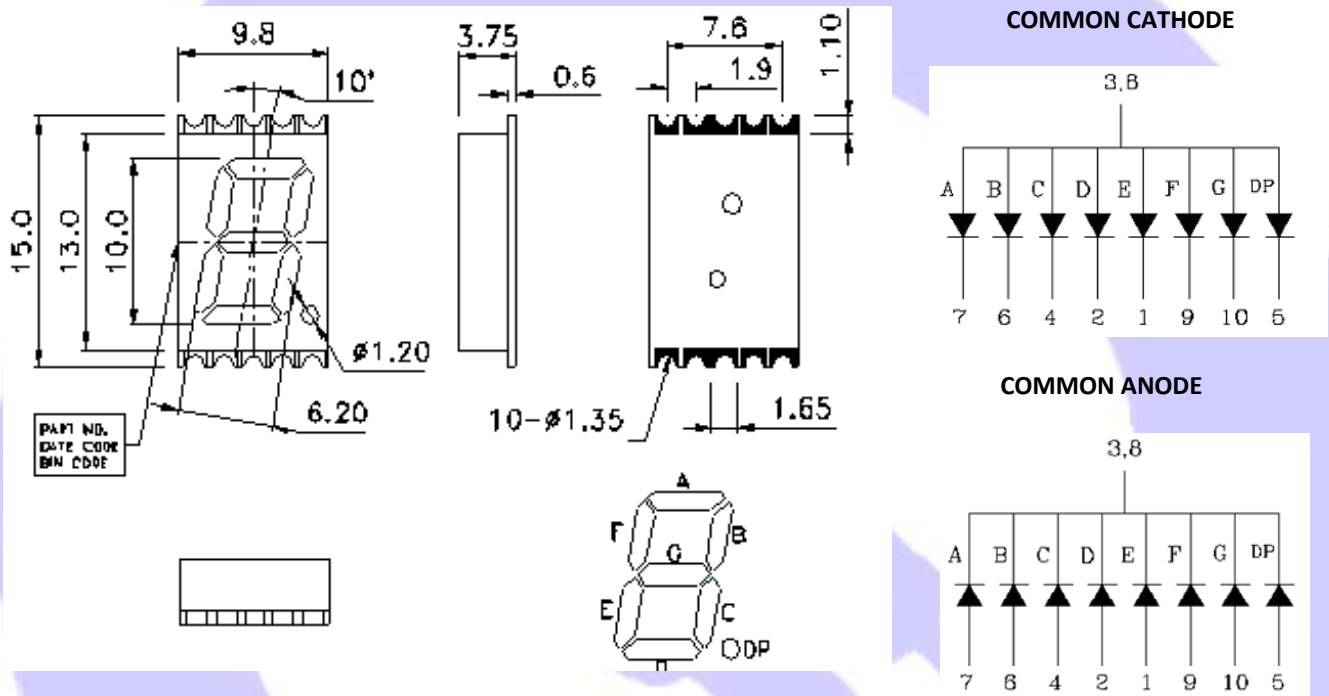
American Opto Plus LED Corp. 1206 E. Lexington Ave., Pomona., CA 91766

Tel: 909-465-0080 Fax: 909-465-0130 Web: www.aopled.com email: info@aopled.com



0.39 inch Single DIGIT SMD LED DISPLAYS

Package Dimension :



Part Number	Chip		Vf (V)		Iv (mcd)		I _p (nm)	
	Material	Emitted Color	If = 20mA		If = 10mA			Peak Wavelength
			Min.	Typ.	Min.	Typ.		
SMC/A-391E G/W	AlInGaP/GaAs	Red	2.0	2.4	2800	7220	632	
SMC/A-391G G/W	GaP	Green	2.0	2.6	500	1000	568	
SMC/A-391LYG G/W	AlInGaP/GaAs	YellowGreen	2.0	2.6	3400	6300	573	
SMC/A-391Y G/W	GaAsP	Yellow	1.7	2.1	1900	4700	588	



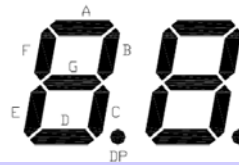
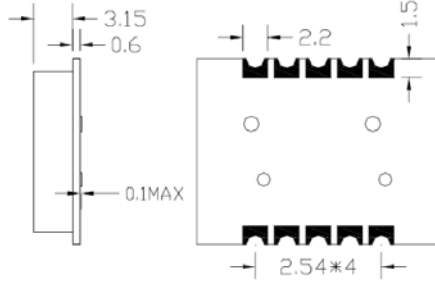
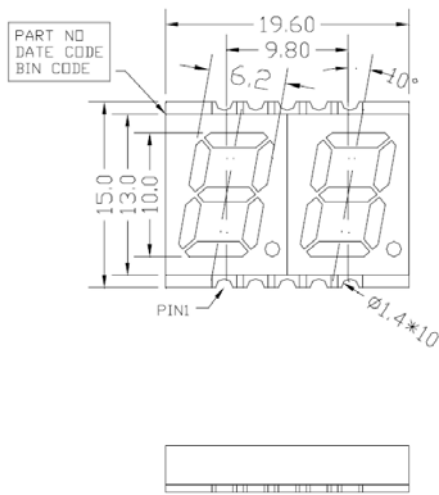
American Opto Plus LED Corp. 1206 E. Lexington Ave., Pomona., CA 91766

Tel: 909-465-0080 Fax: 909-465-0130 Web: www.aopled.com email: info@aopled.com

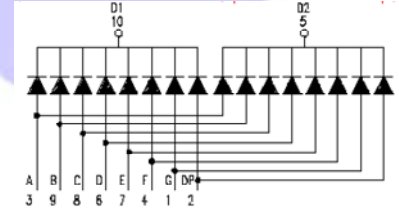


0.39 inch Dual DIGIT SMD LED DISPLAYS

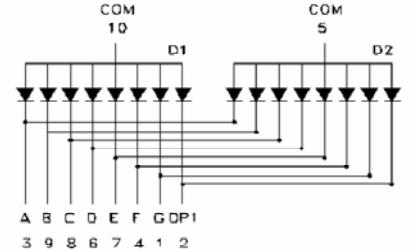
Package Dimension :



COMMON CATHODE



COMMON ANODE



Part Number	Chip		Vf (V)		Iv (mcd)		Ip (nm)
	Material	Emitted Color	If = 20mA		If = 10mA		Peak Wavelength
			Min.	Typ.	Min.	Typ.	
SMC/A-392E G/W	AlInGaP/GaAs	Red	2.0	2.4	2800	7220	632
SMC/A-392G G/W	GaP	Green	2.0	2.6	500	1000	568
SMC/A-392LYG G/W	AlInGaP/GaAs	YellowGreen	2.0	2.6	3400	6300	573
SMC/A-392Y G/W	GaAsP	Yellow	1.7	2.1	1900	4700	588



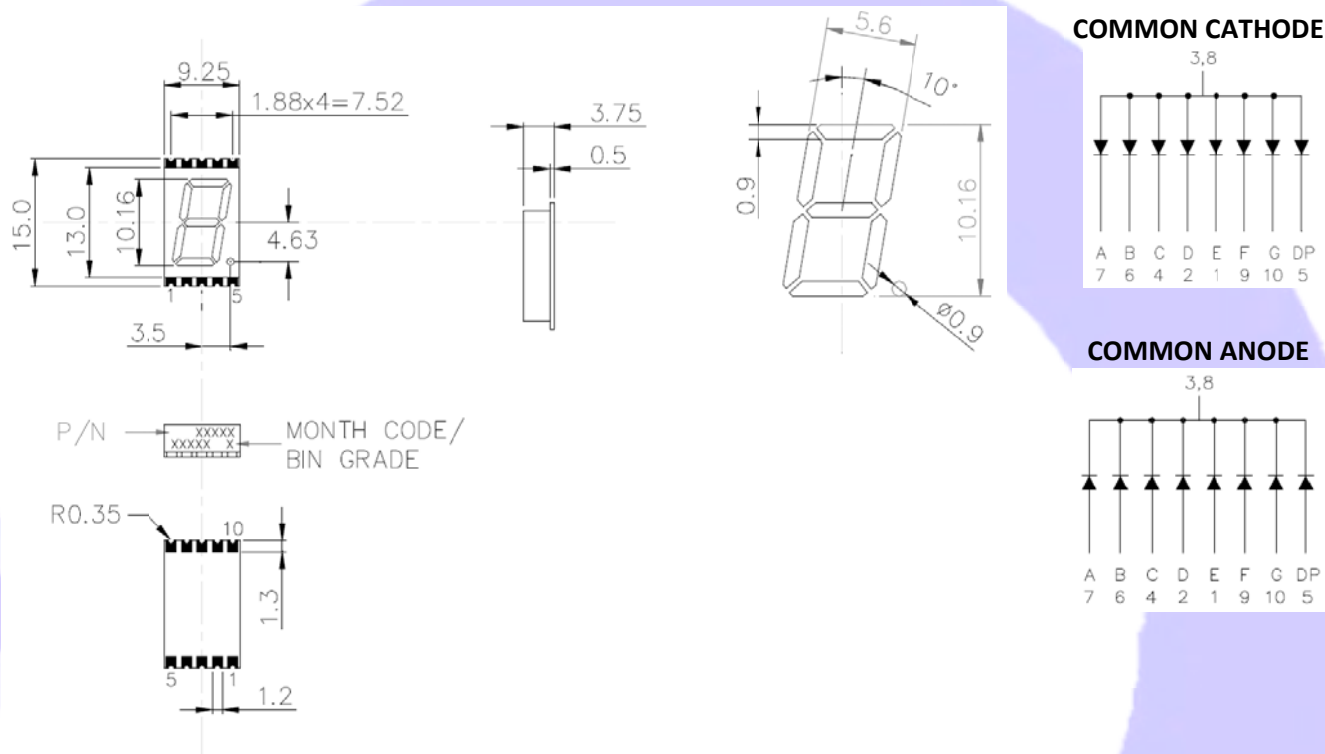
American Opto Plus LED Corp. 1206 E. Lexington Ave., Pomona., CA 91766

Tel: 909-465-0080 Fax: 909-465-0130 Web: www.aopled.com email: info@aopled.com



0.40 inch Single DIGIT SMD LED DISPLAYS

Package Dimension :



Part Number	Chip	Material	Emitted Color	Vf (V)		Iv (mcd)		I _p (nm)
				If = 20mA		If = 10mA		
				Min.	Typ.	Min.	Typ.	
SMC/A-401E G/W		GaAsP/GaP	Red	2.0	2.8	-	2	635
SMC/A-401LE G/W		AllnGaP/GaAs	Bright Red	2.0	2.8	-	25	635
SMC/A-401G G/W		GaP	Green	2.1	2.8	-	3	570
SMC/A-401LG G/W		AllnGaP	Bright Green	2.1	2.8	-	10	570
SMC/A-401Y G/W		GaAsP/GaP	Yellow	2.1	2.8	-	2	590
SMC/A-401LY G/W		AllnGaP /GaAs	Bright Yellow	2.1	2.8	-	20	593
SMC/A-401SR G/W		GaAsP/GaP	Super Red	1.8	2.5	-	4	660
SMC/A-401B G/W		InGaP/SiC	Bright Blue	3.5	4.0	-	25	470



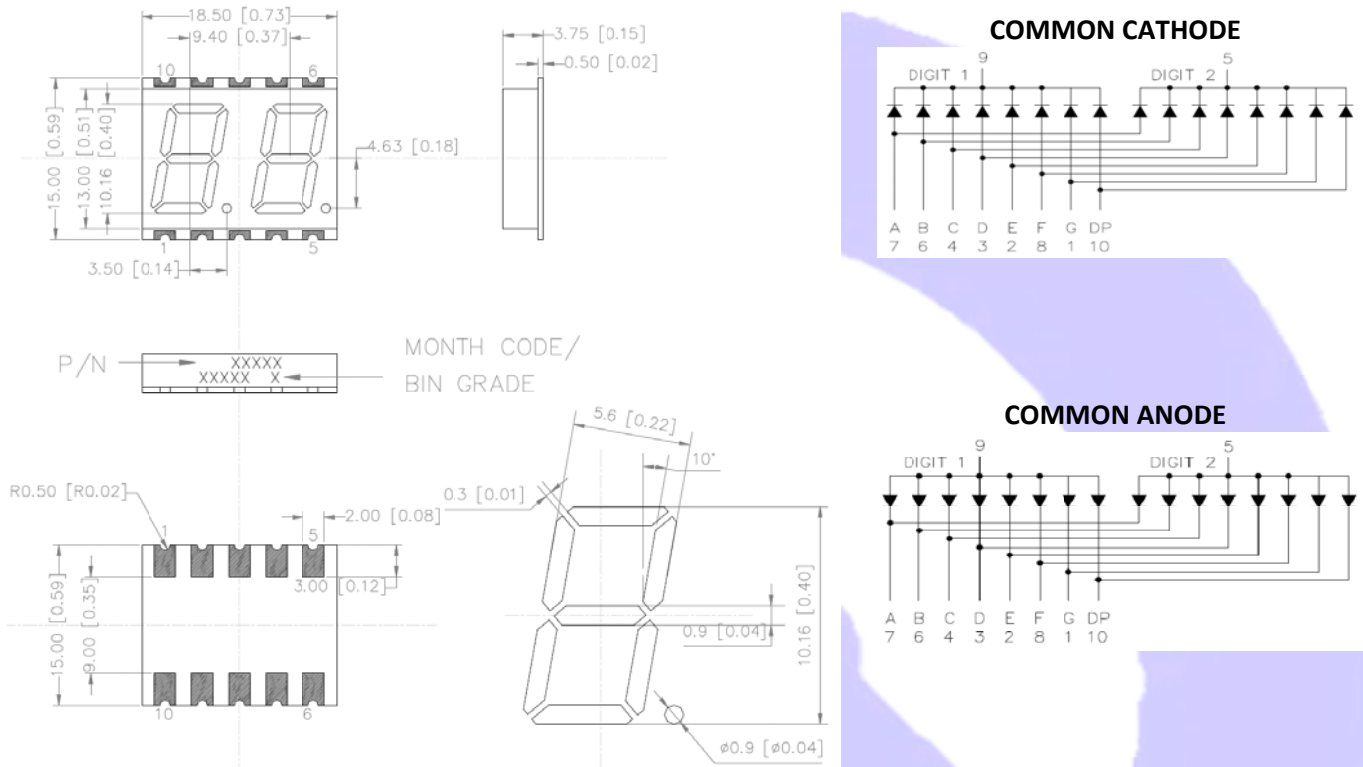
American Opto Plus LED Corp. 1206 E. Lexington Ave., Pomona., CA 91766

Tel: 909-465-0080 Fax: 909-465-0130 Web: www.aopled.com email: info@aopled.com



0.40 inch Dual DIGIT SMD LED DISPLAYS

Package Dimension :



Part Number	Chip	Vf (V)		Iv (mcd)		Ip (nm)		
		Material	Emitted Color	If = 20mA			If = 10mA	
				Min.	Typ.		Min.	Typ.
SMC/A-402E G/W	GaAsP/GaP	Red	2.0	2.8	-	2	635	
SMC/A-402LE G/W	AllnGaP/GaAs	Bright Red	2.0	2.8	-	25	635	
SMC/A-402G G/W	GaP	Green	2.1	2.8	-	3	570	
SMC/A-402LG G/W	AllnGaP	Bright Green	2.1	2.8	-	10	570	
SMC/A-402Y G/W	GaAsP/GaP	Yellow	2.1	2.8	-	2	590	
SMC/A-402LY G/W	AllnGaP /GaAs	Bright Yellow	2.1	2.8	-	20	593	
SMC/A-402SR G/W	GaAsP/GaP	Super Red	1.8	2.5	-	4	660	
SMC/A-402B G/W	InGaN/SiC	Bright Blue	3.5	4.0	-	25	470	



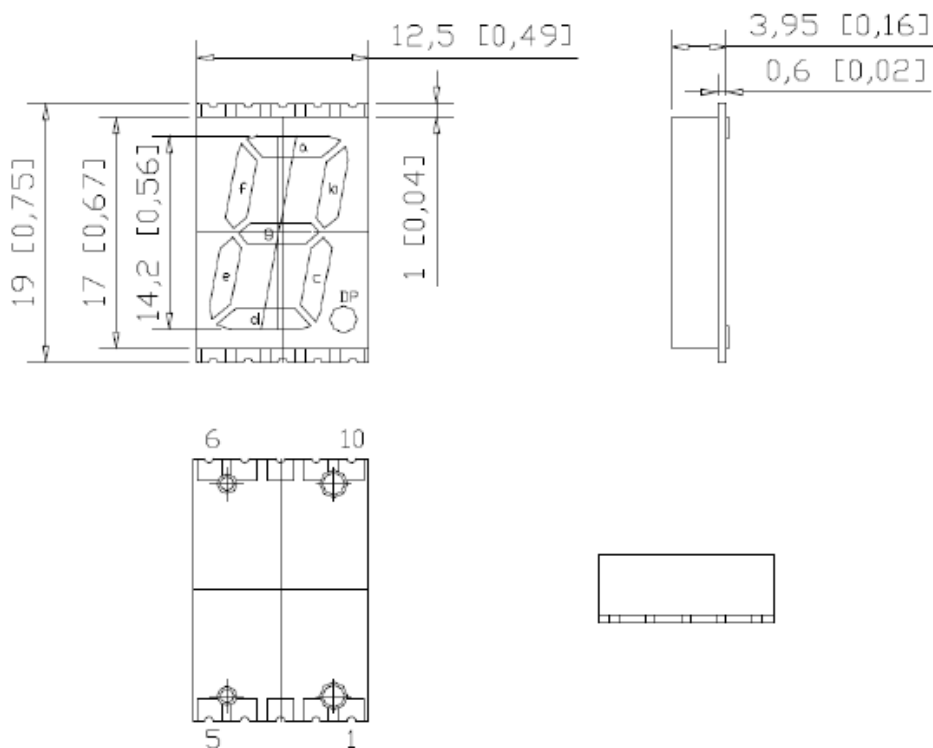
American Opto Plus LED Corp. 1206 E. Lexington Ave., Pomona., CA 91766

Tel: 909-465-0080 Fax: 909-465-0130 Web: www.aopled.com email: info@aopled.com

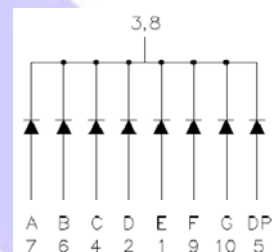


0.56 inch Single DIGIT SMD LED DISPLAYS

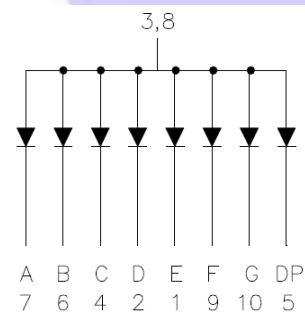
Package Dimension :



COMMON CATHODE



COMMON ANODE



Part Number	Chip		Vf (V)		Iv (mcd)		I _p (nm)	
	Material	Emitted Color	If = 20mA		If = 10mA			Peak Wavelength
			Min.	Typ.	Min.	Typ.		
SMC/A-561E G/W	GaAsP/GaP	Red	2.0	2.8	-	4	635	
SMC/A-561LE G/W	AllnGaP/GaAs	Bright Red	2.0	2.8	-	30	635	
SMC/A-561G G/W	GaP	Green	2.1	2.8	-	5	570	
SMC/A-561LG G/W	AllnGaP	Bright Green	2.1	2.8	-	15	570	
SMC/A-561Y G/W	GaAsP/GaP	Yellow	2.1	2.8	-	4	590	
SMC/A-561LY G/W	AllnGaP /GaAs	Bright Yellow	2.1	2.8	-	25	593	
SMC/A-561SR G/W	GaAsP/GaP	Super Red	1.8	2.5	-	6	660	
SMC/A-561B G/W	InGaN/SiC	Bright Blue	3.5	4.0	-	30	470	



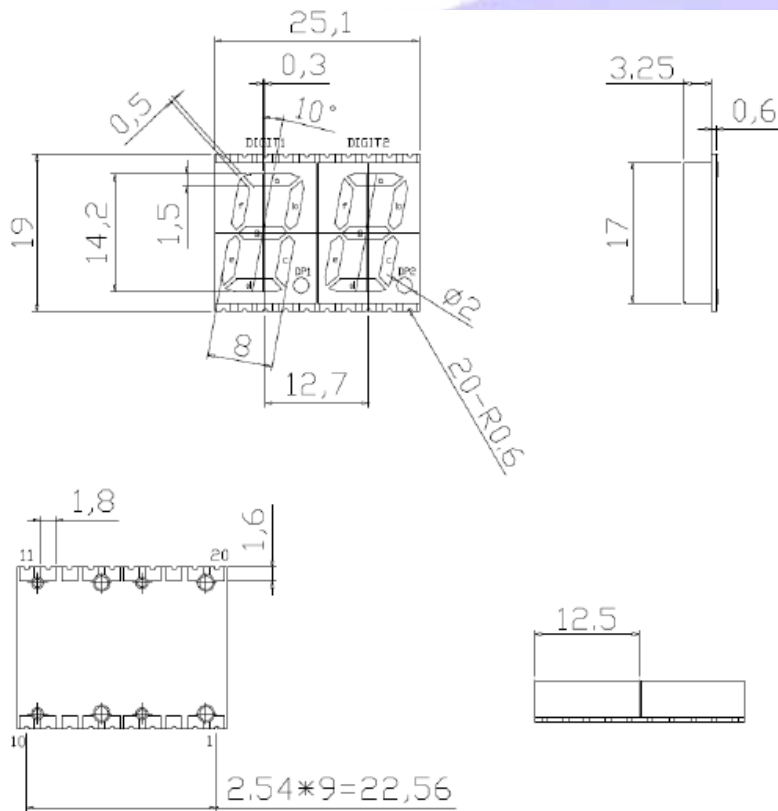
American Opto Plus LED Corp. 1206 E. Lexington Ave., Pomona., CA 91766

Tel: 909-465-0080 Fax: 909-465-0130 Web: www.aopled.com email: info@aopled.com

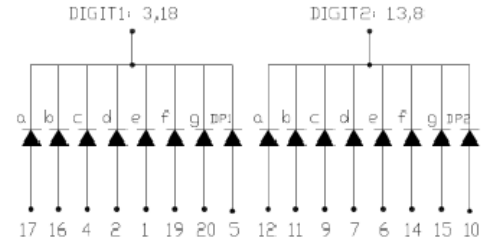


0.56 inch Dual DIGIT SMD LED DISPLAYS

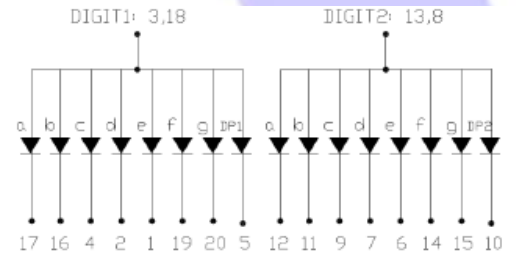
Package Dimension :



COMMON CATHODE



COMMON ANODE



Part Number	Chip	Material	Emitted Color	Vf (V)		Iv (mcd)		I _p (nm)
				If = 20mA		If = 10mA		
				Min.	Typ.	Min.	Typ.	
SMC/A-562E G/W	GaAsP/GaP	GaAsP/GaP	Red	2.0	2.8	-	4	635
SMC/A-562LE G/W	AllnGaP/GaAs	AllnGaP/GaAs	Bright Red	2.0	2.8	-	30	635
SMC/A-562G G/W	GaP	GaP	Green	2.1	2.8	-	5	570
SMC/A-562LG G/W	AllnGaP	AllnGaP	Bright Green	2.1	2.8	-	15	570
SMC/A-562Y G/W	GaAsP/GaP	GaAsP/GaP	Yellow	2.1	2.8	-	4	590
SMC/A-562LY G/W	AllnGaP /GaAs	AllnGaP /GaAs	Bright Yellow	2.1	2.8	-	25	593
SMC/A-562SR G/W	GaAsP/GaP	GaAsP/GaP	Super Red	1.8	2.5	-	6	660
SMC/A-562B G/W	InGaN/SiC	InGaN/SiC	Bright Blue	3.5	4.0	-	30	470



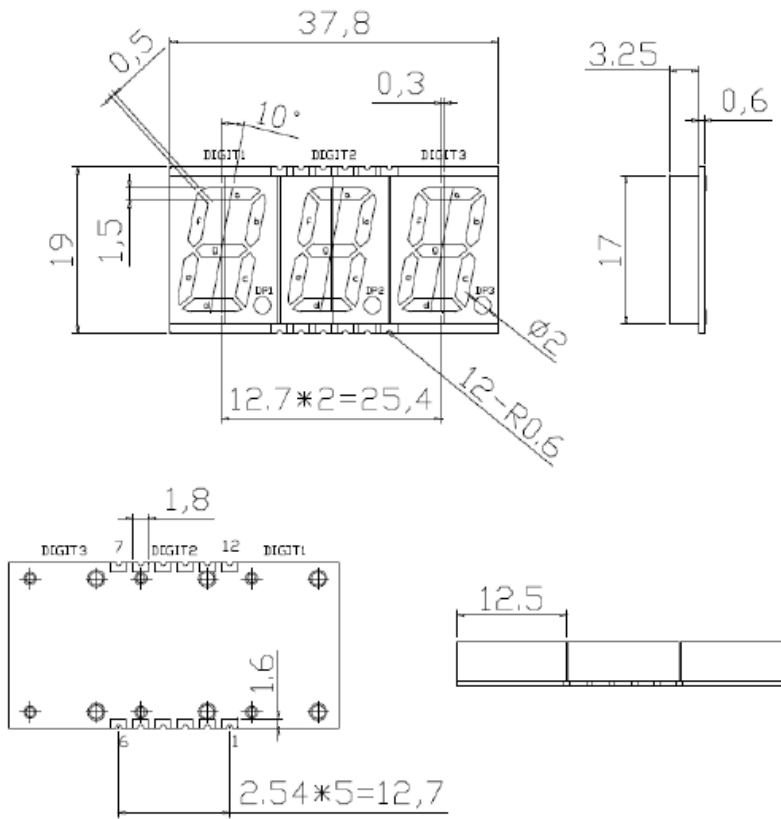
American Opto Plus LED Corp. 1206 E. Lexington Ave., Pomona., CA 91766

Tel: 909-465-0080 Fax: 909-465-0130 Web: www.aopled.com email: info@aopled.com

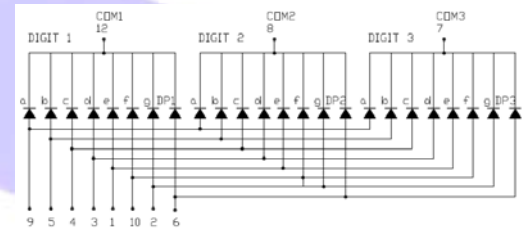


0.56 inch TRI-DIGIT SMD LED DISPLAYS

Package Dimension :

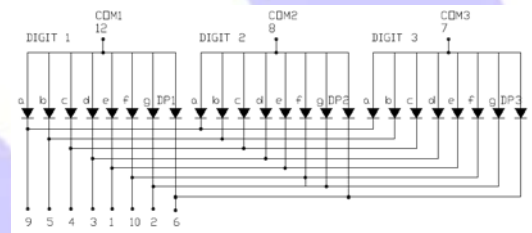


COMMON CATHODE



COMMON CATHODE PIN 11 NC.

COMMON ANODE



COMMON ANODE PIN 11 NC.

Part Number	Chip		Vf (V)		Iv (mcd)		Ip (nm) Peak Wavelength
	Material	Emitted Color	If = 20mA		If = 10mA		
			Min.	Typ.	Min.	Typ.	
SMC/A-563E G/W	GaAsP/GaP	Red	2.0	2.8	-	4	635
SMC/A-563LE G/W	AllnGaP/GaAs	Bright Red	2.0	2.8	-	30	635
SMC/A-563G G/W	GaP	Green	2.1	2.8	-	5	570
SMC/A-563LG G/W	AllnGaP	Bright Green	2.1	2.8	-	15	570
SMC/A-563Y G/W	GaAsP/GaP	Yellow	2.1	2.8	-	4	590
SMC/A-563LY G/W	AllnGaP /GaAs	Bright Yellow	2.1	2.8	-	25	593
SMC/A-563SR G/W	GaAsP/GaP	Super Red	1.8	2.5	-	6	660
SMC/A-563B G/W	InGaN/SiC	Bright Blue	3.5	4.0	-	30	470



American Opto Plus LED Corp. 1206 E. Lexington Ave., Pomona., CA 91766

Tel: 909-465-0080 Fax: 909-465-0130 Web: www.aopled.com email: info@aopled.com

