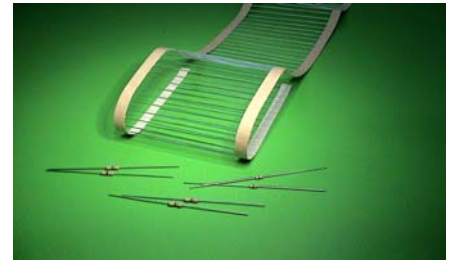


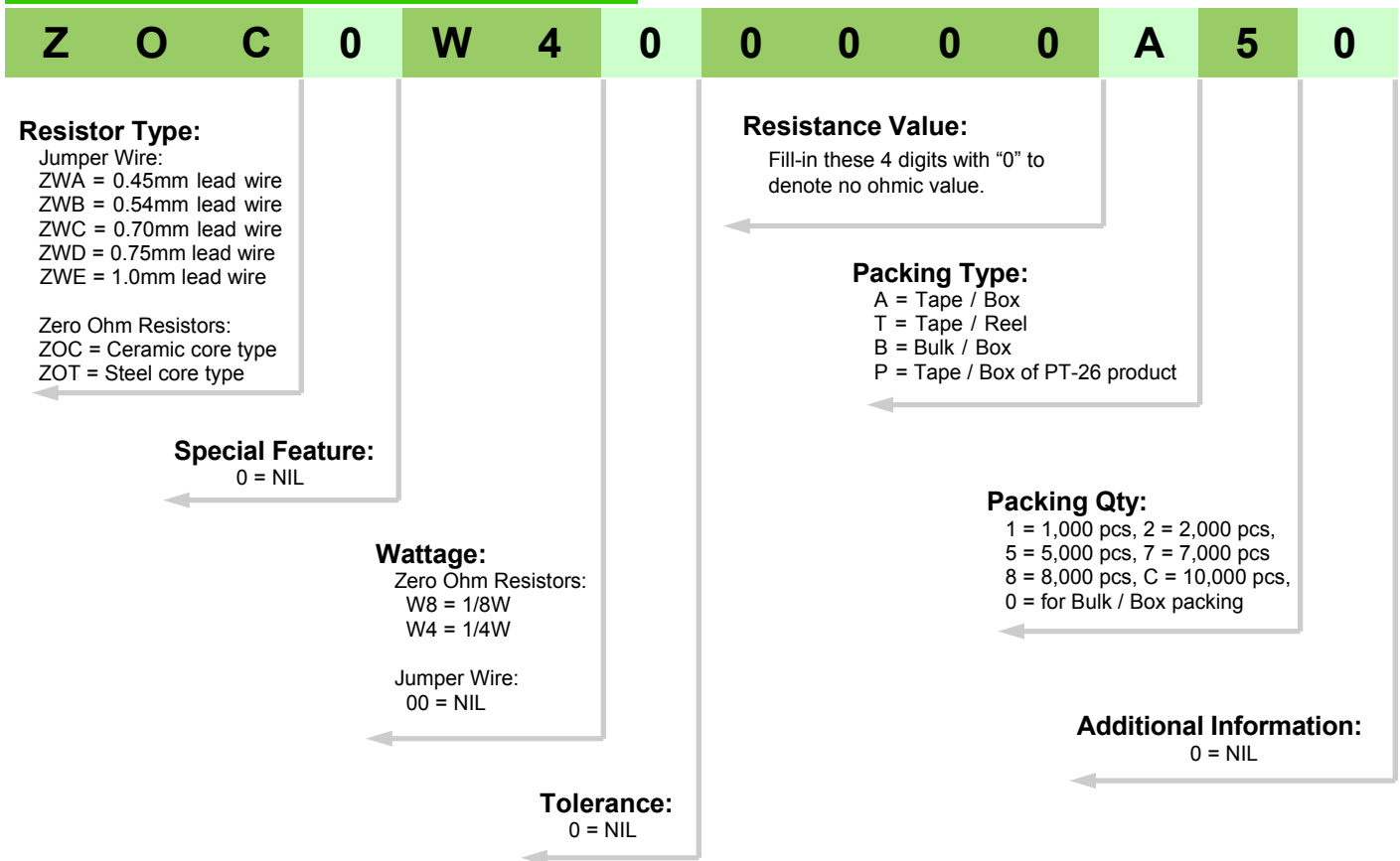
JUMPER WIRES & ZERO OHM RESISTORS

Features

- Resistance less than 0.01 ohm
- One black band color-coding for easy identification
- Ideal straight - through between point on PC Boards



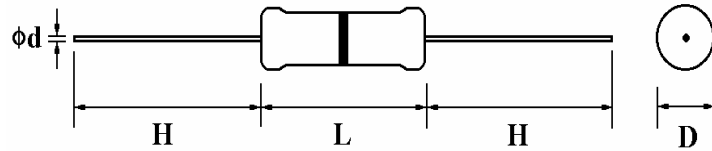
Ordering Procedure: (Ex.: ZO 1/4W, T/B-5000)



* More explanation of part no, please see details on pages 79-80.

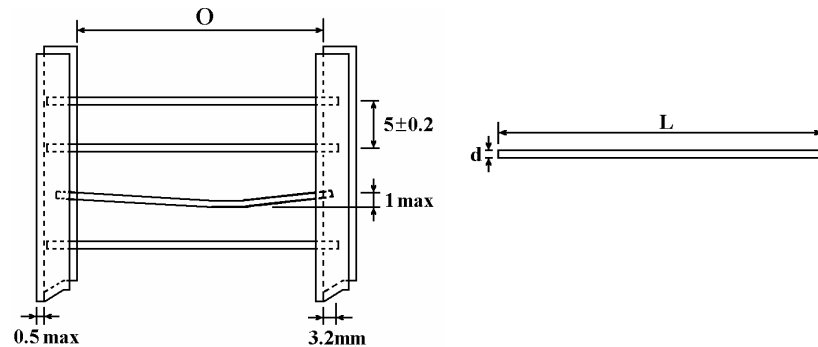
JUMPER WIRES & ZERO OHM RESISTORS

(1) ZO - Type



Part No.	Style	Power Rating at 70°C	Dimension (mm)			
			D Max.	L Max.	d ± 0.05	H ± 3
ZOT0W8/ZOC0W8	ZO - 12	1/8W (0.125W)	1.85	3.5	0.45	28
ZOT0W4/ZOC0W4	ZO - 25	1/4W (0.25W)	2.5	6.8	0.54	28

(2) ZW - Type



Part No.	Style	L ± 3	d ± 0.05	O ± 1	
ZWA0	ZW - A	60/34	0.45	52	26
ZWB0	ZW - B	60/34	0.54	52	26
ZWC0	ZW - C	60/34	0.70	52	26
ZWD0	ZW - D	60/34	0.75	52	26
ZWE0	ZW - E	60/34	1.0	52	26

Performance Specifications

Requirements	Characteristics
Maximum resistance	Less than 50mΩ
Lead material	Tin - Plated copper
Body material (ZO - Type)	Electrical grade, high performance molding compound
Insulation resistance	Dry - 10,000 MΩ; Wet - 100 MΩ
Dielectric withstanding voltage	Atmospheric - 500V RMS, Reduced - 325V RMS
Insulation flammability	Resistor Insulation is self extinguishing within 10 seconds after externally applied flame is removed
Current rating	25 Amps at 25°C Derating to 0 Amps at 150°C