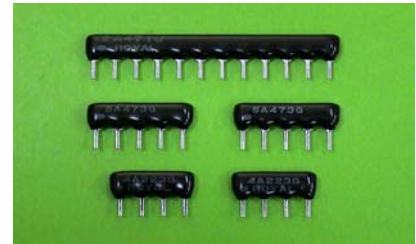


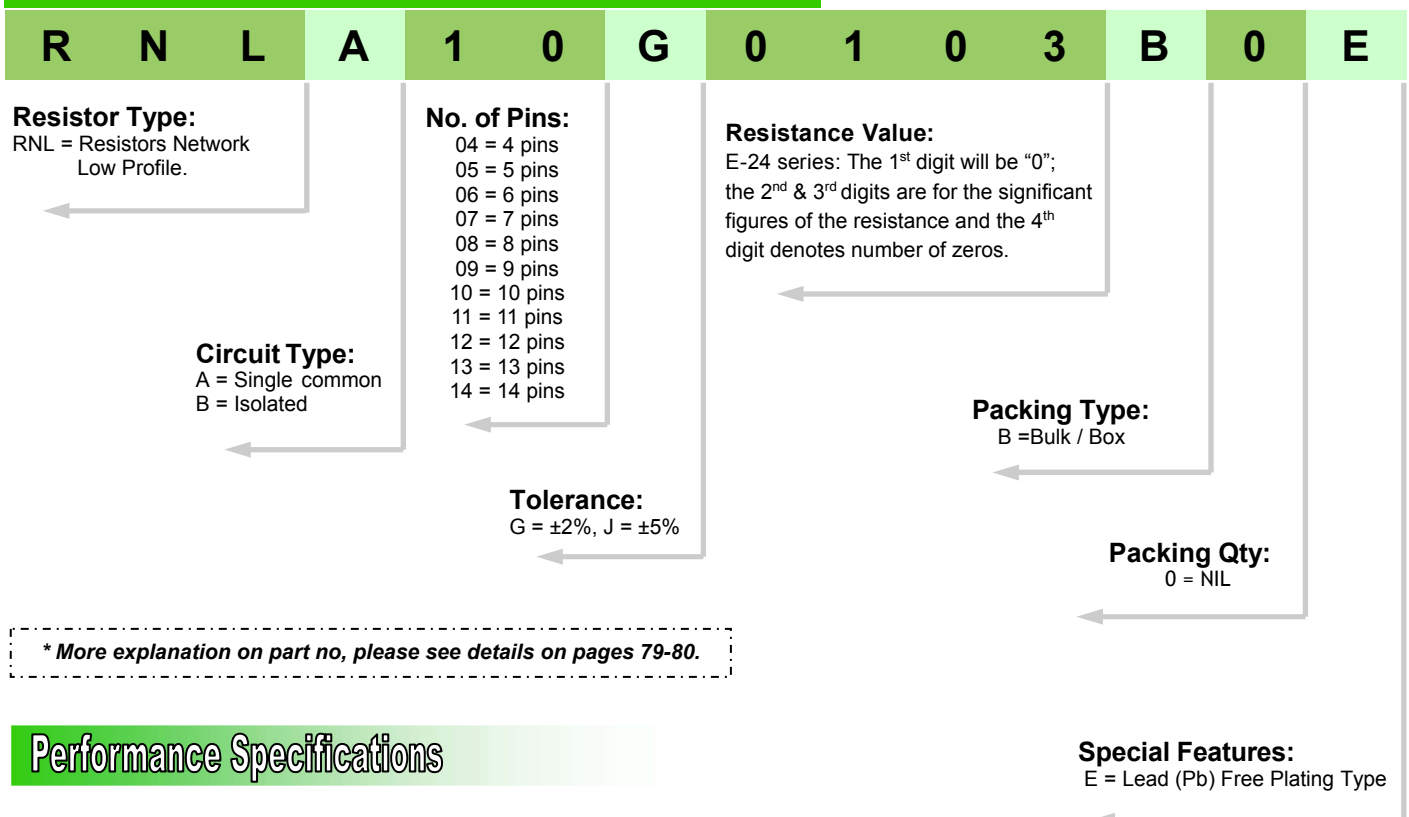
RESISTORS NETWORK—SIP RNL SERIES

Features

- High reliability with RUO2 paste
- Miniature, high density packaging
- Combinations of different ohmic values are available



Ordering Procedure: (Ex.: RNL A-type, 10 PINS, 2%, 10KΩ, B/B)



Performance Specifications

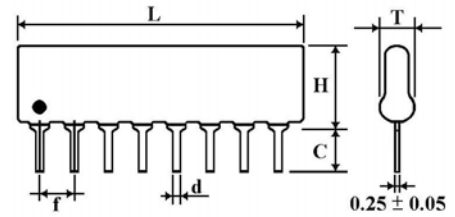
Temperature coefficient	50Ω ~ 1MΩ: ±200PPM/°C <50Ω & > 1MΩ: ±250PPM/°C
Short-time overload	ΔR/R ≤ ±(0.5% + 0.1Ω)
Insulation resistance	Min. 10,000 Mega Ohm
Dielectric withstanding voltage	No evidence of flashover, mechanical damage, arcing or insulation breakdown.
Terminal strength	ΔR/R ≤ ±(0.5% + 0.1Ω)
Resistance to soldering heat	ΔR/R ≤ ±(0.5% + 0.1Ω)
Solderability	Min. 95% Coverage
Thermal shock	ΔR/R ≤ ±(0.5% + 0.1Ω)
Temperature cycling	ΔR/R ≤ ±(0.5% + 0.1Ω)
Load life in humidity	ΔR/R ≤ ±(3.0% + 0.1Ω)
Load life	ΔR/R ≤ ±(3.0% + 0.1Ω)

** More details, please see pages 77-78.*

RESISTORS NETWORK—SIP RNL SERIES

Dimension (mm)

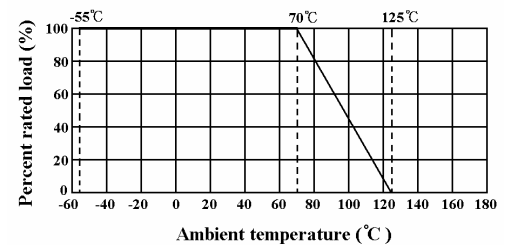
Type	L (Max.)	H (Max.)	T (Max.)	C $\begin{matrix} +0.3 \\ -0.2 \end{matrix}$	d ± 0.1	f ± 0.2
4 pins	10.2	5.08	2.5	3.2	0.5	2.54
5 pins	12.7					
6 pins	15.3					
7 pins	17.8					
8 pins	20.4					
9 pins	22.9					
10 pins	25.4					
11 pins	28.0					
12 pins	30.5					
13 pins	33.1					
14 pins	35.6					



Dual Terminators (R1/R2) (Ohm)

160/240	330/390
180/390	330/470
220/270	1.5K/3.3K
220/330	3.0K/6.2K

Derating Curve



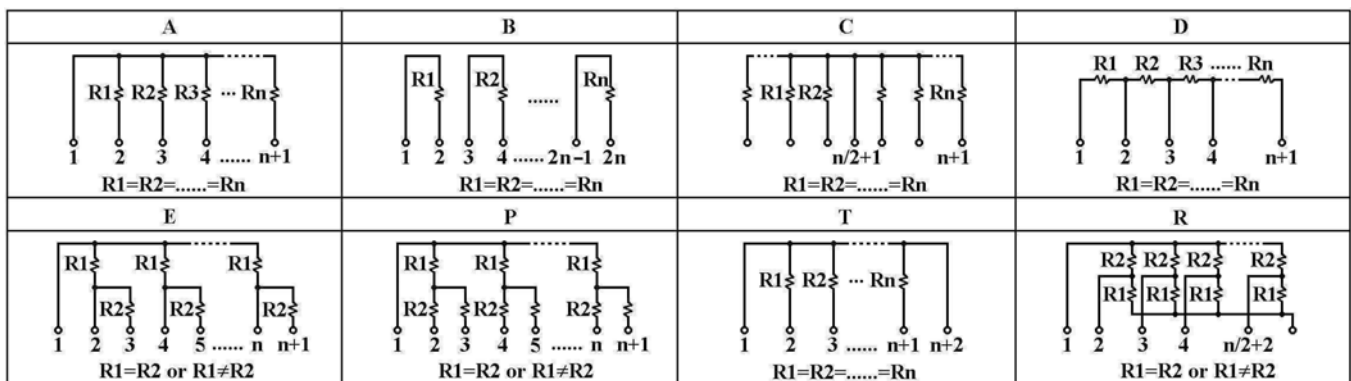
Power Rating

Power Rating at 70 °C	Max. Working Voltage	Max. Over-load Voltage	Dielectric With-standing Voltage	Resistance Range	Resistance Tolerance	Operating Temp. Range
B Type: 0.2W	100V	150V	200V	R Type: 100Ω~10KΩ	±1% ±2% ±5%	-55°C ~+125°C
Others: 0.125W				Others: 10Ω ~ 1MΩ		

(SINGLE COMMON)

(ISOLATED)

(NECK AND NECK)



(LADDER)

(DOUBLE SIDED)