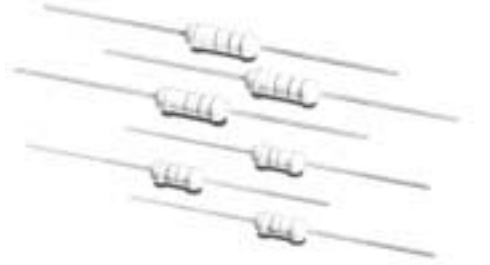


FEATURES

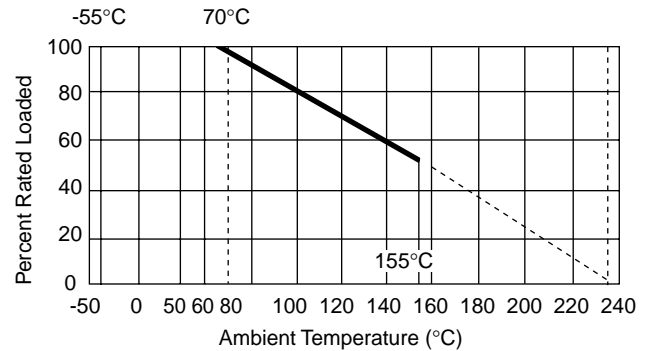
- ±5% tolerance
- Excellent flame retardant coating
- Stable performance in diverse environments
- High purity ceramic core
- Meets EIAJ-RC2655A requirements
- Other values may be available on request



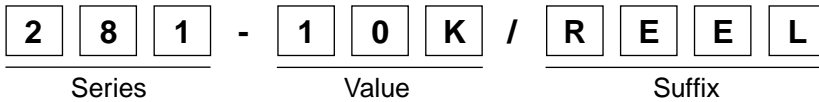
CHARACTERISTICS

Item	Characteristics
Operating Temperature Range	-55°C ~ +240°C (derated over 70°C)
Temperature Coefficient	±350ppm/°C
Short Time Overload	±(1% +0.05Ω)
Temperature Cycling	±(1% +0.05Ω)
Soldering Effect	±(1% +0.05Ω)
Vibration	±(1% +0.05Ω)
Moisture Resistance	±(5% +0.10Ω)
Load Life (1,000 hrs., 70°C)	±(5% +0.05Ω)

DERATING CURVE

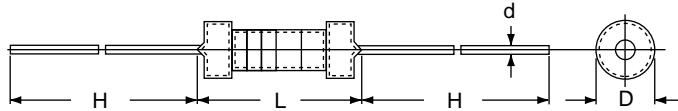


PART NUMBERING SYSTEM



Suffix Code:	Package:
(blank)	Bulk
REEL	Tape and Reel
AP	Ammo Pack

SERIES, SIZE, WATTAGE, RANGE OF VALUES, VOLTAGE, AND DIMENSIONS



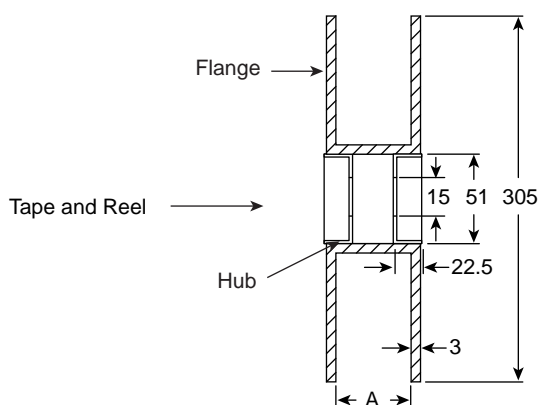
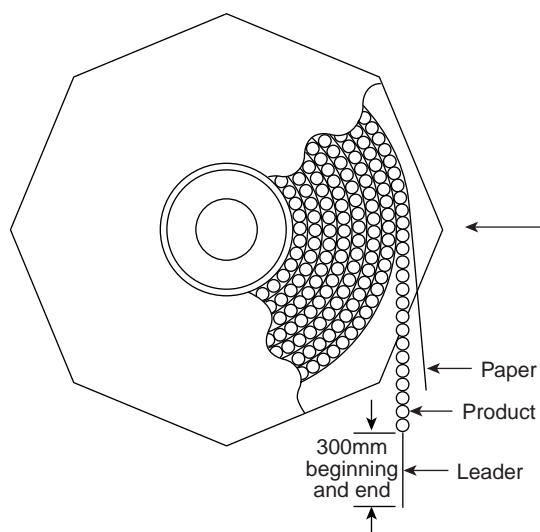
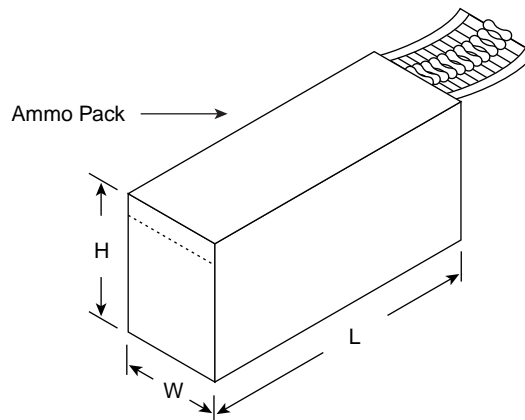
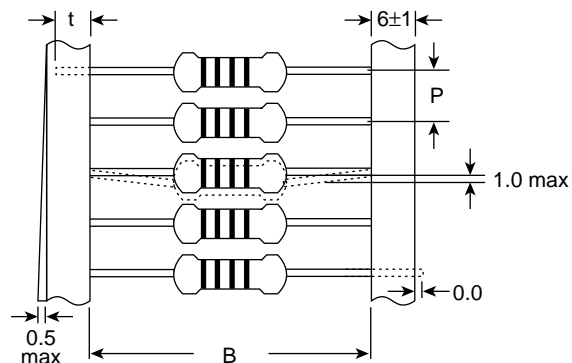
Series	Case Size	Watts (W)	Standard Range of Values	Voltage (V) (max.) @ 70°C			Dimensions (mm)			
				Working	Overload	Withstanding	L (max.)	D (max.)	H ±3	d +.02, -.05
281	Small	1	0.1 ~ 1.0M	350	600	350	10	4	28	0.7
282	Small	2	0.1 ~ 1.0M	350	600	350	12	5	28	0.7
283	Small	3	0.1 ~ 1.0M	350	600	350	16	5.5	28	0.8
286	Small	5	0.22 ~ 560K	500	800	500	17.5	6.5	28	0.8
261	Standard	1	0.1 ~ 1.0M	350	600	350	12	5	28	0.7
262	Standard	2	0.1 ~ 1.0M	350	600	350	16	5.5	28	0.8
307	Standard	3	0.1 ~ 1.0M	500	800	500	17.5	6.5	28	0.8
308	Standard	5	0.22 ~ 150K	750	1,000	750	26	8.5	38	0.8
309	Standard	7	20 ~ 150K	750	1,000	750	32	8.5	38	0.8

STANDARD STOCKED VALUES (Ω)

0.47	0.82	1.6	3.3	6.2	12	24	47	91	180	360	680	1.3K	2.7K	5.1K	10K	20K	39K	75K	150K	300K	560K
0.5	0.91	1.8	3.6	6.8	13	27	51	100	200	390	750	1.5K	3.0K	5.6K	11K	22K	43K	82K	160K	330K	620K
0.51	1.0	2.0	3.9	7.5	15	30	56	110	220	430	820	1.6K	3.3K	6.2K	12K	24K	47K	91K	180K	360K	680K
0.56	1.1	2.2	4.3	8.2	16	33	62	120	240	470	910	1.8K	3.6K	6.8K	13K	27K	51K	100K	200K	390K	750K
0.62	1.2	2.4	4.7	9.1	18	36	68	130	270	510	1.0K	2.0K	3.9K	7.5K	15K	30K	56K	110K	220K	430K	820K
0.68	1.3	2.7	5.1	10	20	39	75	150	300	560	1.1K	2.2K	4.3K	8.2K	16K	33K	62K	120K	240K	470K	910K
0.75	1.5	3.0	5.6	11	22	43	82	160	330	620	1.2K	2.4K	4.7K	9.1K	18K	36K	68K	130K	270K	510K	1.0M



■ DIMENSIONS (mm), AMMO PACK AND TAPE AND REEL



Series	Case Size	Dimensions (mm)			Quantity Per Box	Ammo Pack			Reel	
		B	P	t		Dimensions (mm)			Quantity Per Reel	Dim. (mm)
						L	W	H		
281	Small	52	5	4	1000	260	85	70	2500	73
282	Small	58	5	4	1000	262	86	80	2500	73
283	Small	58	5	4	1000	262	86	80	1000	73
286	Small	---	---	---	---	---	---	---	---	---
261	Standard	64	10	5	1000	262	92	108	2500	81
262	Standard	64	10	5	1000	262	92	108	1000	81
307	Standard	64	10	5	500	256	92	80	500	81
308	Standard	---	---	---	---	---	---	---	---	---
309	Standard	---	---	---	---	---	---	---	---	---